

SPECIFICATIONS

INPUT VOLTAGE _____ 208/240 VAC, 50/60 HZ
 TEMPERATURE RANGE _____ -30°F to 220°F
 DIFFERENTIAL RANGE _____ 1°F to 30°F
 SWITCH ACTION _____ SPDT

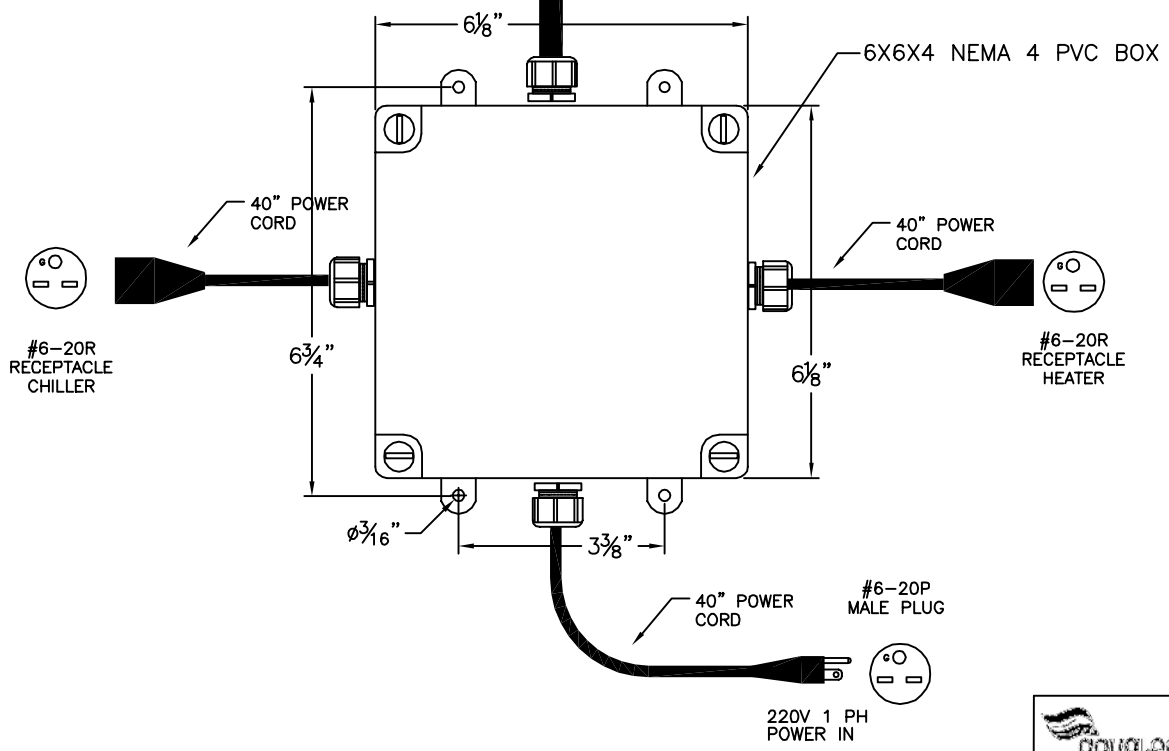
RELAY ELECTRICAL RATINGS

NO CONTACTS	230V 1PH
FULL-LOAD AMPS.	15
LOCKED ROTOR AMPS.	65
HEATER RESISTIVE AMPS.	8.6
CHILLER HORSEPOWER	1 1/2 HP

CONTROL AMBIENT TEMPERATURE

OPERATING _____ -27°F to 140°F (29°C to 60°C)
 STORAGE _____ -40 to 176°F (-40°C to 80°C)
 ENCLOSURE _____ NEMA TYPE 4X OUTDOOR

1/2" CONDUIT
3 FT LONG



AQUA LOGIC
 Aqua Logic, Inc.
 8268 Clairemont Mesa Blvd. Suite 302
 San Diego, CA 92111

TITLE: EC230RDN CONTROLLER SPECIFICATIONS