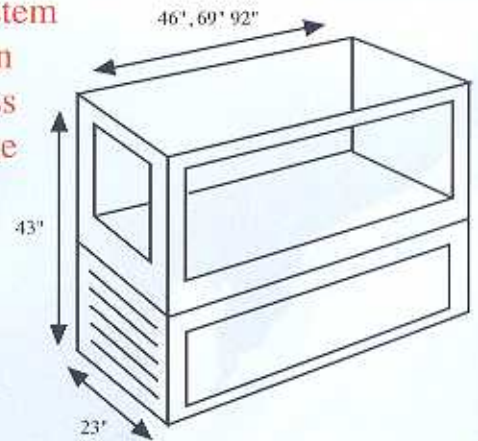


# Commercial Seawater Display Tanks



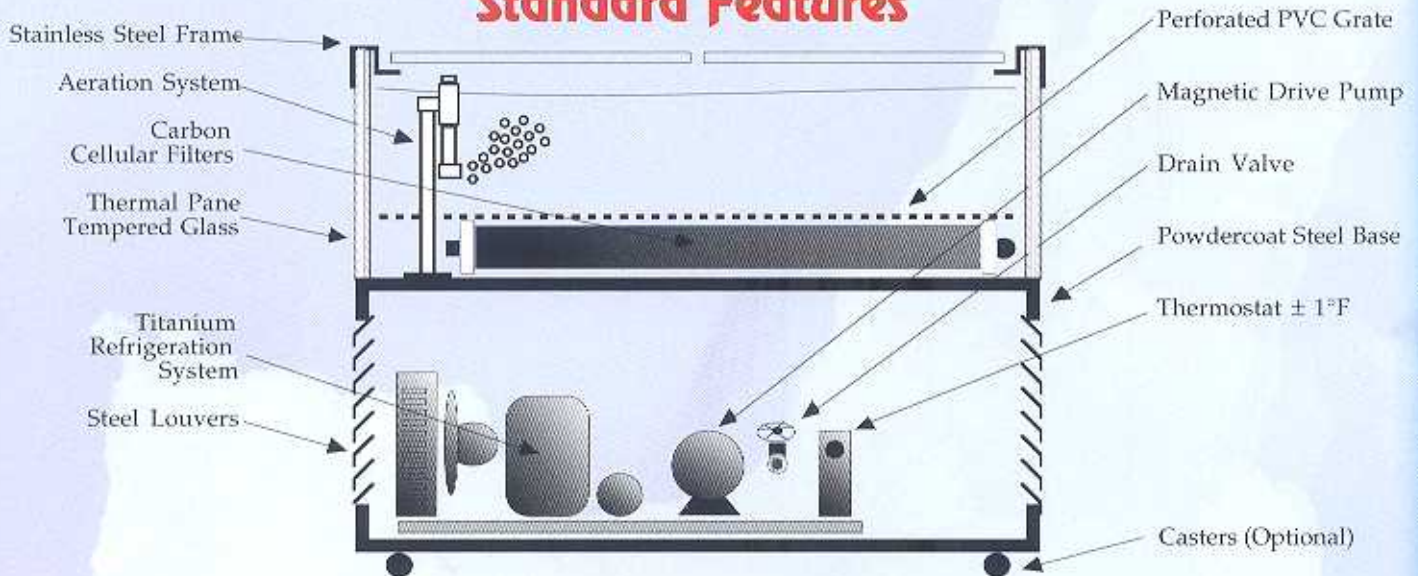
**Titanium Refrigeration System**  
**Stainless Steel Construction**  
**No Fog Thermal Pane Glass**  
**Removable System Package**  
**Biological Filter**  
**Aeration System**  
**Cellular Filtration**  
**Start-up Kit**



Aqua Logic thermal pane glass tanks are constructed from the finest materials under tight quality control. The glass is tempered to resist breakage then bonded with industrial adhesives. Proprietary tank constructions prevents tanks from ever fogging or leaking. The frame around the tanks is 316 stainless steel. All weld voids are filled, then ground down flush. Powder coat is electrostatically applied and baked in an oven making an indelible finish.

The chilling coils are made of titanium, completely non-corrosive in seawater. Biological reduction of Ammonia occurs on the cellular filter. These filters are filled with activated carbon and are easily removed for cleaning. High volume pump and aeration system keeps animals healthy.

## Standard Features



## Complete Seawater System

1/3hp titanium refrigeration system, magnetic drive pump, cellular carbon filtration, venturi aeration, and thermostat. Tanks are tempered thermal pane glass with 316 stainless steel frames. Steel louvered vents on both ends of stand. Cleated doors on front and back. Unit comes with acrylic lids, sea salt, ammonia test kit, hydrometer and instruction manual. Tank ships F.O.B. San Diego, CA.

**4' Model AL-95 85 pound Capacity**  
**6' Model AL-147 140 pound Capacity**  
**8' Model AL-193 200 pound Capacity**

## Options

Perforated Divider w/SS holders	Shipping Crate
Custom Base and Tank Colors	Casters
Ultraviolet Light Sterilizer	Start-up Bacteria

Telephone (858) 292-4773  
 Fax (858) 279-0537



8280 Clairemont Mesa Blvd. #127 San Diego, CA. 92111

Visit our Web site:  
[www.aqualogicinc.com](http://www.aqualogicinc.com)  
 email: [aqualogic@aol.com](mailto:aqualogic@aol.com)