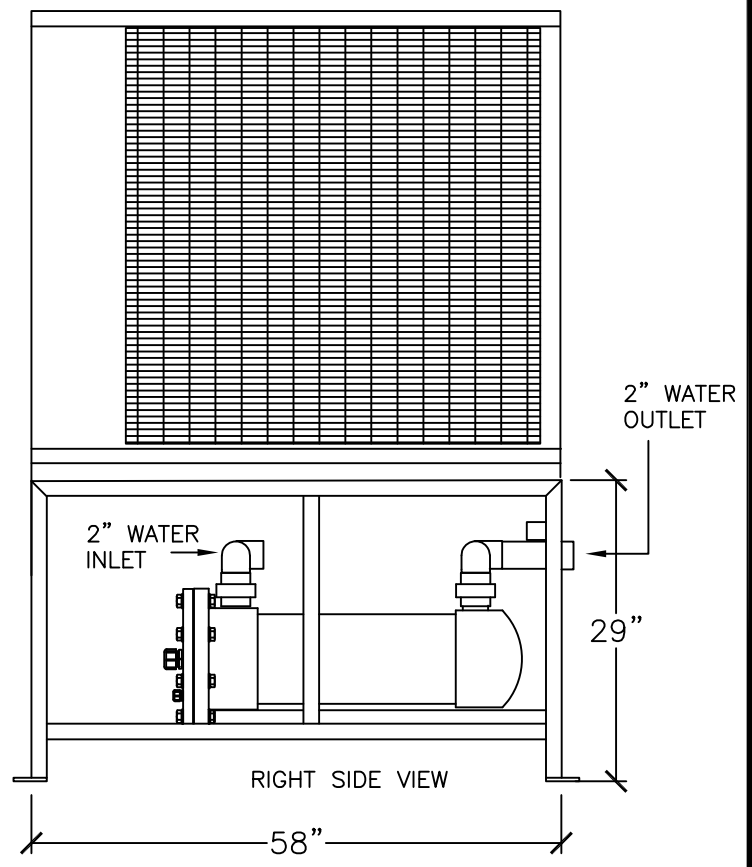
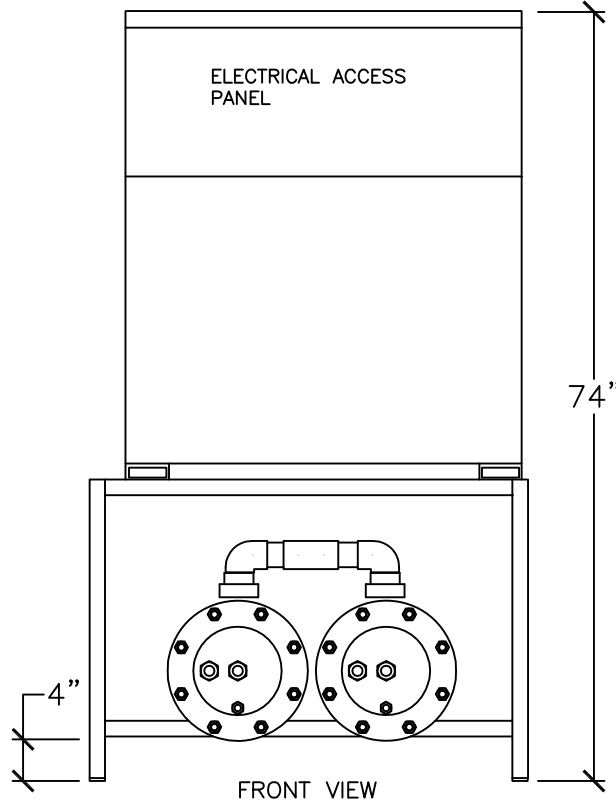
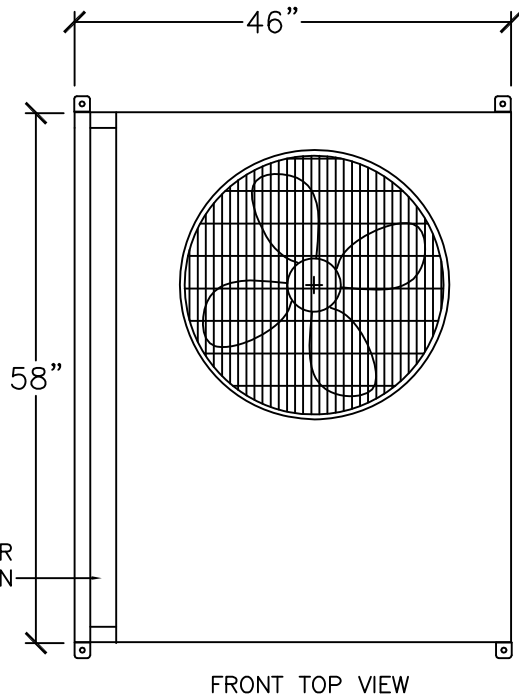


TOP DISCHARGE AREA SHOULD BE UNRESTRICTED FOR 100 INCHES MINIMUM. UNIT SHOULD BE PLACED SO ROOF RUN-OFF WATER DOES NOT POUR DIRECTLY ON UNIT.

AIR OUTLET



MINIMUM CLEARANCE FOR PROPER OPERATION IS 36 INCHES FROM THE WALLS, SHRUBBERY, FENCES, ETC. MINIMUM CLEARANCE BETWEEN ADJACENT UNITS IS 72 INCHES.



SPECIFICATIONS:

- MODEL NO: _____ HP-7
- HP: _____ 10
- VOLTS / PH / Hz _____ 208-240 / 3 / 60
- VOLTAGE MIN-MAX _____ 187-253
- TOTAL UNIT AMPS _____ 40 RLA / 278 LRA
- MIN. CIRCUIT AMP. _____ 48
- MAX. FUSE _____ 70
- MAX. BTUH OUTPUT _____ 120,000
- MIN - MAX WATER FLOW _____ 60 / 120 GPM
- WEIGHT _____ 700 LBS
- REFRIGERANT TYPE _____ R-22 18 LBS.
- FAN AIR OUTPUT _____ 8200 CFM
- HX CONSTRUCTION _____ TITANIUM TUBE IN PVC SHELL

aqualogic
 Aqua Logic, Inc.
 8268 Clairemont Mesa Blvd. Suite 302
 San Diego, CA 92111

TITLE: HP-7 230V 3PH HEAT PUMP