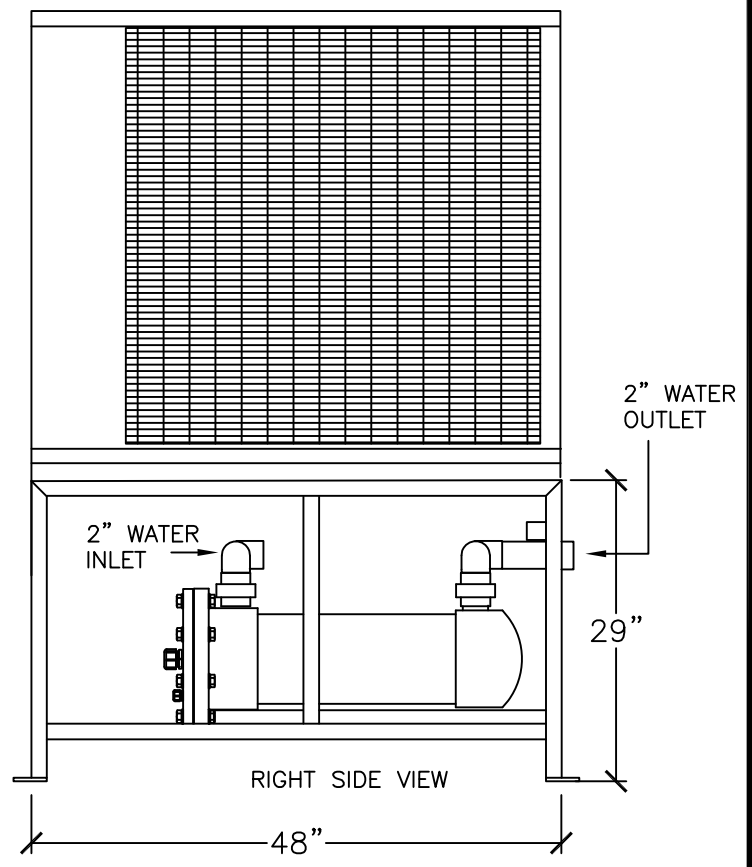
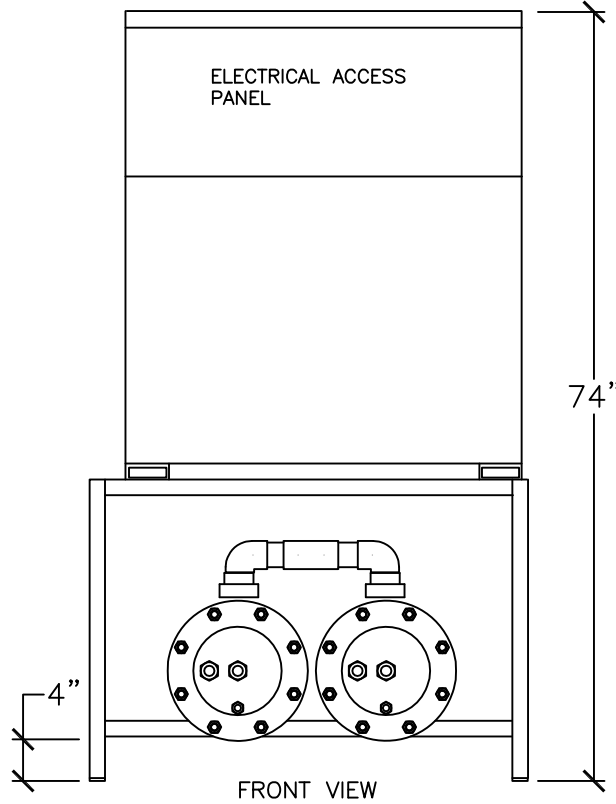
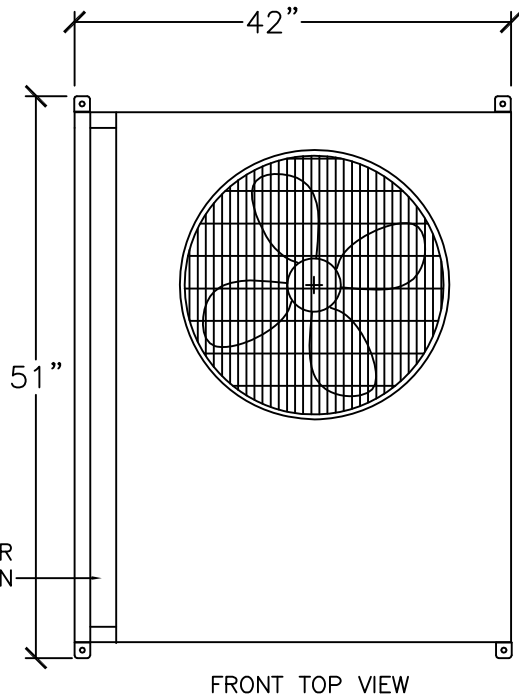


TOP DISCHARGE AREA SHOULD BE UNRESTRICTED FOR 100 INCHES MINIMUM. UNIT SHOULD BE PLACED SO ROOF RUN-OFF WATER DOES NOT POUR DIRECTLY ON UNIT.

AIR OUTLET
↑



MINIMUM CLEARANCE FOR PROPER OPERATION IS 36 INCHES FROM THE WALLS, SHRUBBERY, FENCES, ETC. MINIMUM CLEARANCE BETWEEN ADJACENT UNITS IS 72 INCHES.



SPECIFICATIONS:

- MODEL NO: _____ HP-6
- HP: _____ 7.5
- VOLTS / PH / Hz _____ 208-240 / 3 / 60
- VOLTAGE MIN-MAX _____ 187-253
- TOTAL UNIT AMPS _____ 29 RLA / 172 LRA
- MIN. CIRCUIT AMP. _____ 35
- MAX. FUSE _____ 60
- MAX. BTUH OUTPUT _____ 90,000 / 26.3 Kw
- MIN - MAX WATER FLOW _____ 60 / 120 GPM
- WEIGHT _____ 700 LBS
- REFRIGERANT TYPE _____ R-22 / 18 lbs.
- FAN AIR OUTPUT _____ 8200 CFM
- HX CONSTRUCTION _____ TITANIUM TUBE IN PVC SHELL

aqualogic
Aqua Logic, Inc.
8268 Clairemont Mesa Blvd. Suite 302
San Diego, CA 92111

TITLE: HP-6 230V 3PH HEAT PUMP