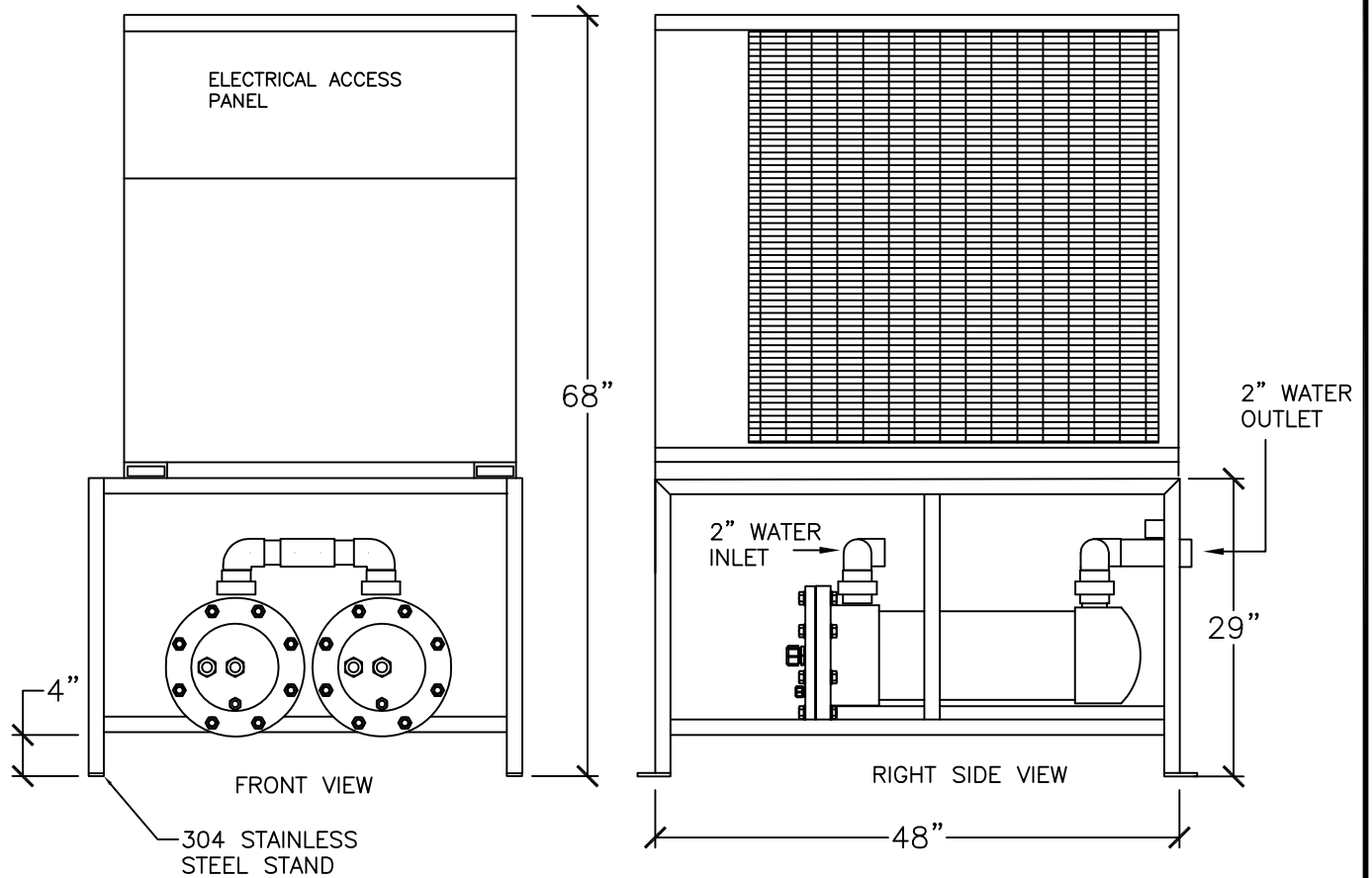
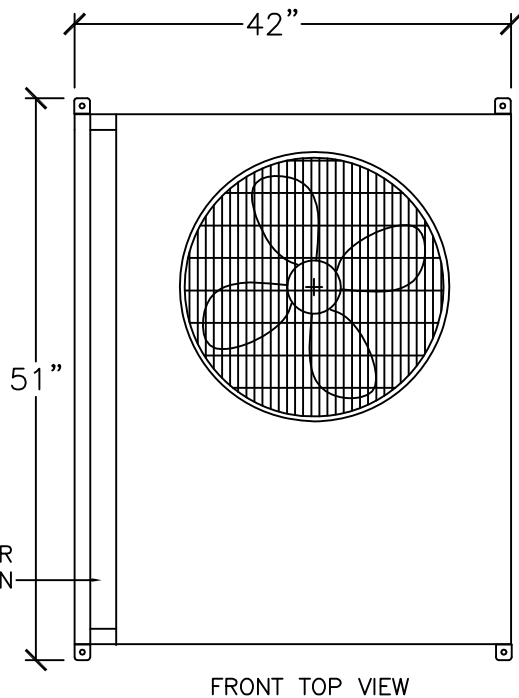


TOP DISCHARGE AREA SHOULD BE UNRESTRICTED FOR 100 INCHES MINIMUM. UNIT SHOULD BE PLACED SO ROOF RUN-OFF WATER DOES NOT POUR DIRECTLY ON UNIT.

AIR OUTLET



MINIMUM CLEARANCE FOR PROPER OPERATION IS 36 INCHES FROM THE WALLS, SHRUBBERY, FENCES, ETC. MINIMUM CLEARANCE BETWEEN ADJACENT UNITS IS 72 INCHES.



**SPECIFICATIONS:**

MODEL NO: \_\_\_\_\_ HP-6-460  
 HP: \_\_\_\_\_ 7.5  
 VOLTS / PH / Hz \_\_\_\_\_ 460 / 3 / 60  
 VOLTAGE MIN-MAX \_\_\_\_\_ 414-506  
 TOTAL UNIT AMPS \_\_\_\_\_ 15 RLA / 94 LRA  
 MIN. CIRCUIT AMP. \_\_\_\_\_ 17.9  
 MAX. FUSE \_\_\_\_\_ 25  
 MAX. BTUH OUTPUT \_\_\_\_\_ 90,000 / 26.3 Kw  
 MIN - MAX WATER FLOW \_\_\_\_\_ 60 / 120 GPM  
 WEIGHT \_\_\_\_\_ 700 LBS  
 REFRIGERANT TYPE \_\_\_\_\_ R-22 / 18 lbs.  
 FAN AIR OUTPUT \_\_\_\_\_ 8200 CFM  
 HX CONSTRUCTION \_\_\_\_\_ TITANIUM TUBE IN PVC SHELL

**aqualogic** Aqua Logic, Inc.  
 8268 Clairemont Mesa Blvd. Suite 302  
 San Diego, CA 92111

TITLE: HP-6-460 230V 3PH  
 HEAT PUMP

LAST UPDATE: 5-1-06

DATE: 7-16-04

FILE: HP-6-460 7.5 hp

BY CE